

SUPRA.



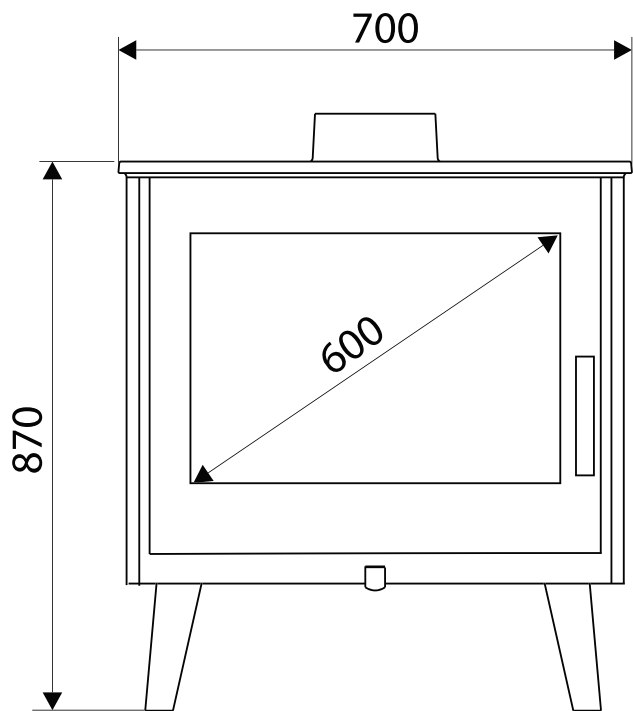
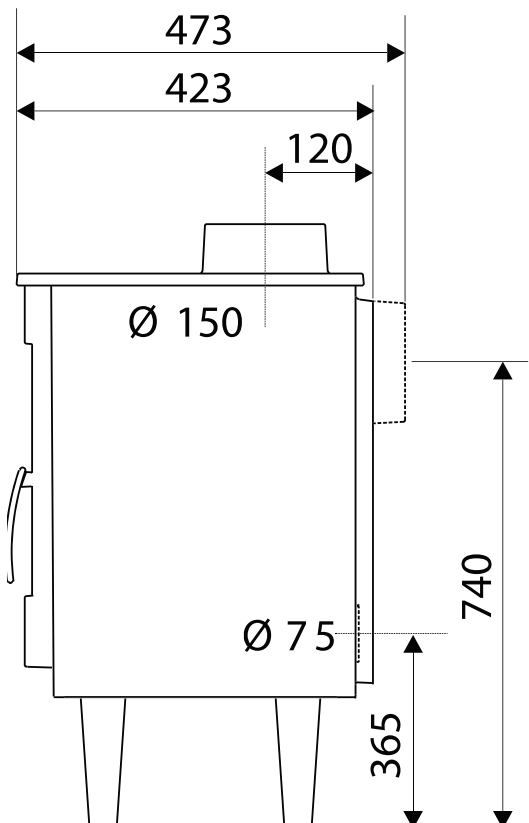
Available colours

\* Selected colours are available on request only; Please confirm stock availability.



Output range   Kw	6-16
Heating Capacity   m <sup>3</sup>	240
Nominal Efficiency   %	77
Type	Freestanding
Fuel Type	Wood
Max load / Nom. Cons.   Kg/h	2.86
Brand	Supra
Flue ø	150
Flue exit	Top/Rear
WxDxH   mm	700 x 423 x 870
Weight   Kg	171
Finish	Cast Iron
Ash tray	Yes
Glass cleaning air flow	Yes
Convection type	Natural
Multifire System	-
Dual power system	-
Ductable	-
Power settings	-
Remote control	-
Energy saving mode	-
Humidifier	-
Warranty	5 Yr. Structural 2 Yr. Elec. & Mech.

\* All warranties are subject to CRMS registration.



\*Unit of measure and model dimensions may vary. E&OE.