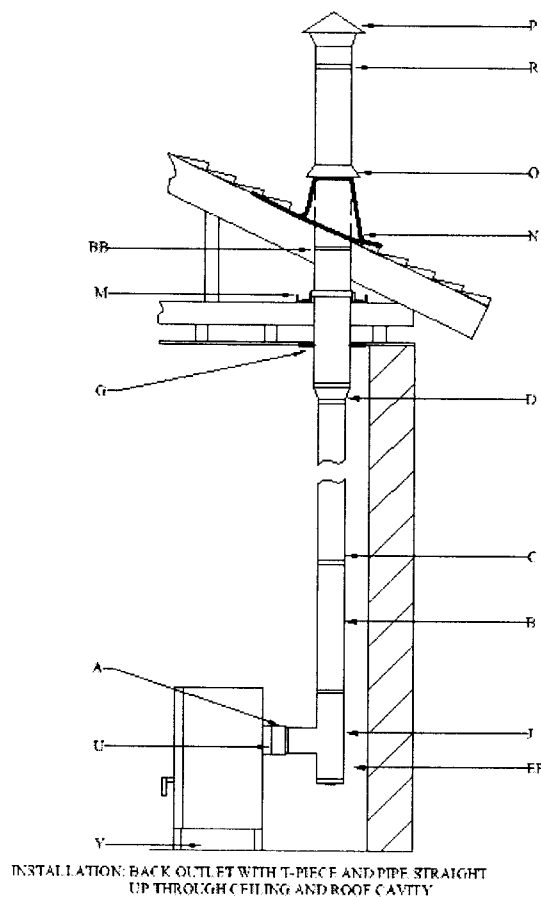


Home Fires Pipe Element installation guide – read together with the appropriate drawing!

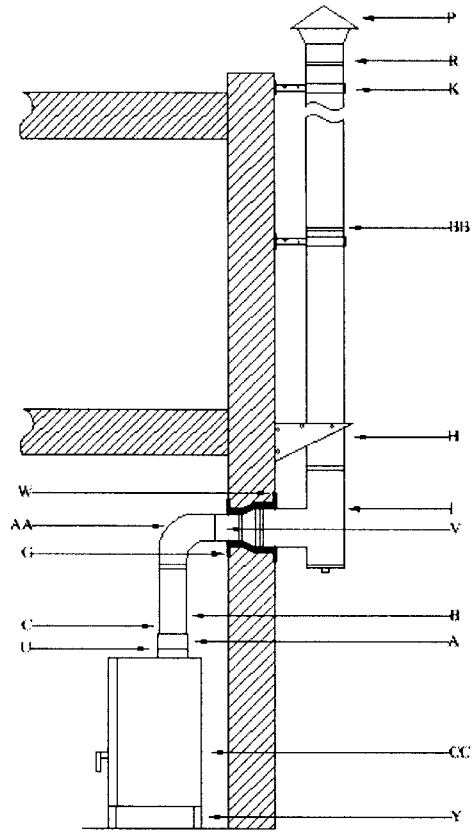
- A) Appliance Adaptor / Connector - **PBL146/150ADAP, PSS146/150ADAP, PBL186/205ADAP, PBL136/150ADAP, PSS136/150ADAP, PSS186/205ADAP**
- B) Single wall pipe section (1000mm or 500mm or 300mm lengths or combination of different lengths) - **PSS125F, PSS125H, PSS125/300, PSS150F, PSS150H, PSS150/300, PSS200F, PSS200H, PBL125F, PBL125H, PBL125/300, PBL150F, PBL150H, PBL150/300, PBL200F, PBL200H**
- C) “male” or small end **must face down**
- D) “end cap” or changeover from single to double insulated – **PISS200ENDCAP, PIBL125ENDCAP, PISS125ENDCAP, PISS150ENDCAP, PIBL150ENDCAP, PIBL200ENDCAP**
- E) 45 degree elbow single wall – **PBSS200/45, PBBL150/45, PBSS150/45, PBSS125/45, PBBL125/45, PBBL200/45**
- F) 45 degree elbow double insulated – **PBISS200/260/45, PBIBL200/260/45, PBISS125/185/45, PBIBL125/185/45, PBISS150/210/45, PBIBL150/210/45**
- G) Escutcheon plate / ceiling plate/ wall closure
- H) Wall support bracket for double insulated pipe – **PWBSISS185, PWBSISS210**
- I) T-piece double insulated pipe – **PTPISS150/210/90, PTPISS125/185/90, PTPIBL150/210/90, PTPIBL125/185/90**
- J) T-piece single wall pipe – **PTPSS125/90, PTPSS150/90, PTPBL125/90, PTPBL150/90**
- K) Wall bracket for double insulated pipe – **PBCSS210, PBCSS260, PBCBL210, PBCBL260, PBCBL185, PBCSS185**
- L) Wall bracket for single wall pipe – **PBCBL150, PBCBL125, PBCBL200, PBCSS150, PBCSS125, PBCSS200**
- M) Roof support bracket for double insulated pipe to be supported with angle iron on trusses – **PRSISS185, PRSISS210, PRSISS260**
- N) Roof flashing
- O) Storm collar for double insulated pipe – seal with silicon – **PSCISS185, PSCISS210, PSCISS260**
- P) Chinese hat type fixed cowl to fit both double insulated and single wall pipe – **PHCOWLSS125/185, PHCOWLSS150/210, PHCOWLSS200/260, PHCOWLBL125/185, PHCOWLBL150/210, PHCOWLBL200/260, PCOWLSS125/185, PCOWLSS150/210, PCOWLSS200/260, PCOWLBL125/185, PCOWLBL150/210, PCOWLBL200/260**
- Q) Rotating cowl, grease yearly.
- R) The height of the chimney that extends above the roof surface or a parapet wall is **critical**. Refer to the installation instructions of the appliance.
- S) Ceramic wool insulation – minimum combustible material distance is 100mm
- T) Seal joint with high temperature silicon
- U) Seal joint to appliance with ceramic rope or fire cement/clay.
- V) Cut to size to suit with a grinder.

- W) Seal for water penetration
- X) 10mm Nutec fibre board to seal of the cavity and prevent rising hot air, either inside the chimney or in front of the cavity.
- Y) Non-combustible floor surface
- Z) The flues inside the existing brick chimney preferable all the way to the top.
Stainless steel flexible pipe can also be used here.
- AA) 90 degree gradual stainless steel elbow single wall / or t-piece stainless steel single wall with cleaning trap. – **PBSS125/90, PBBL150/90, PBSS150/90, PBBL125/90**
- BB) Pipe locking band
- CC) 150mm distance to wall minimum
- DD) Insulation material, between single wall pipe and brickwork
- EE) 100mm distance to wall minimum

A.

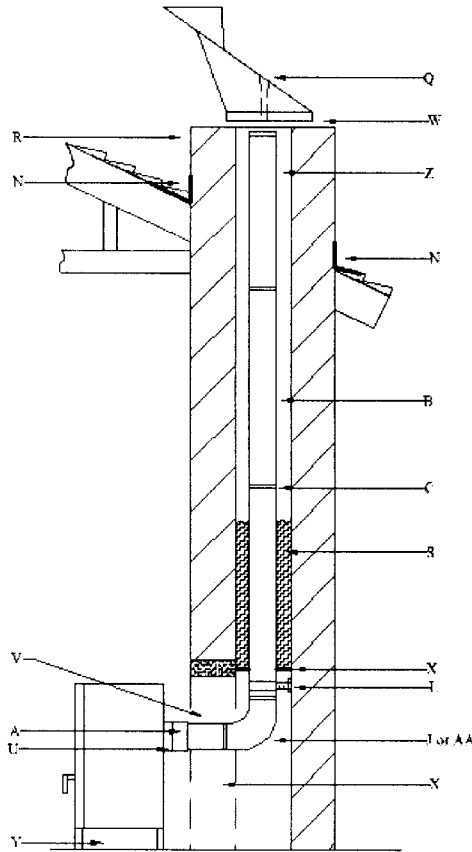


B.



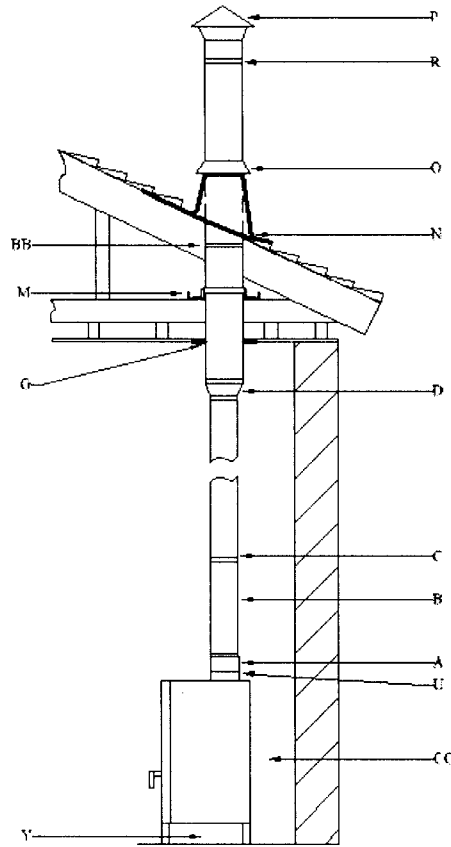
INSTALLATION: TOP OUTLET, GOING THROUGH THE WALL HORIZONTALLY TO THE OUTSIDE, BEFORE THE CEILING AND EXPOSED PIPE ON THE OUTSIDE.

C.



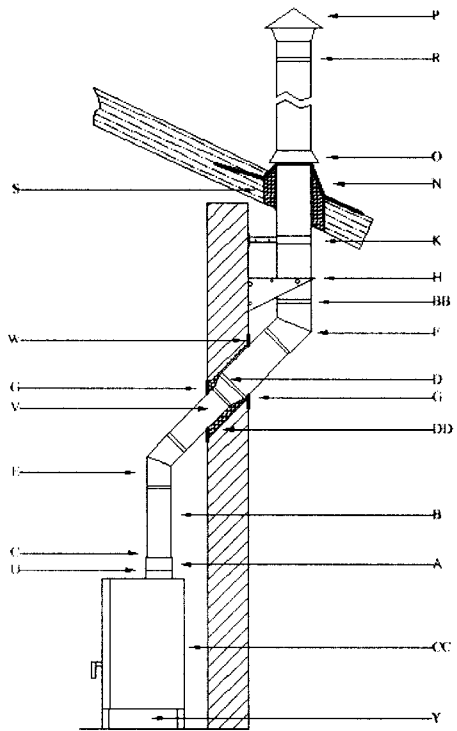
INSTALLATION: BACK OUTLET WITH 90 DEGREE ELBOW INTO EXISTING BRICK CHIMNEY, LINED TO THE TOP

D



INSTALLATION: TOP OUTLET, PIPE STRAIGHT UP,
THROUGH CEILING AND ROOF CAVITY

E.



INSTALLATION: TOP OUTLET, GOING THROUGH THE WALL AT 45 DEGREE ANGLE
TO THE OUTSIDE, WITH EXPOSED PIPE ON THE OUTSIDE
AND THROUGH THATCH OVERHANG.