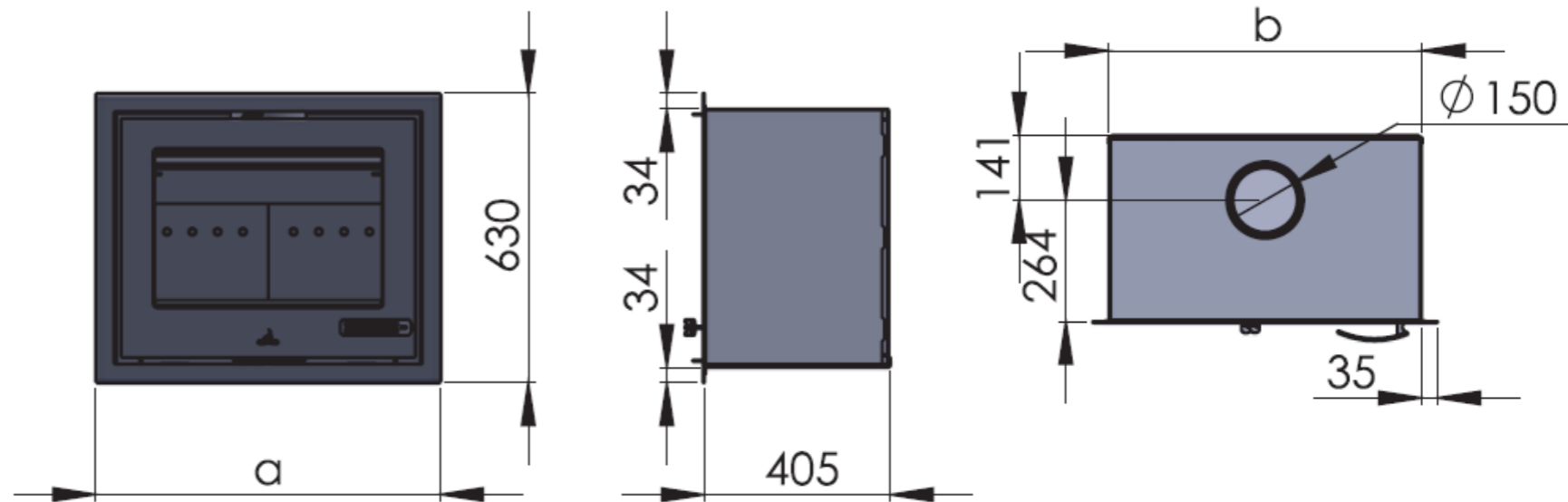
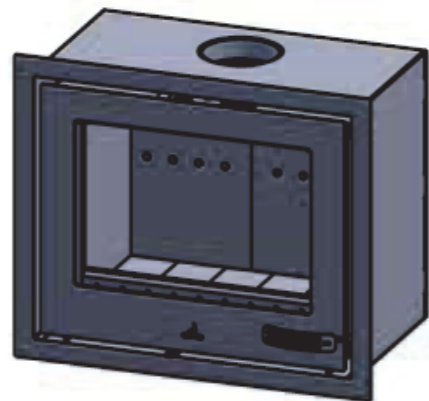


BUILT IN WOOD STOVES NEW BUILD

8,10 & 13KW
INSERT
150MM DIA FLUE
TOP EXIT ONLY



	a	b
8Kw	667	601
10Kw	750	683
13Kw	870	803