



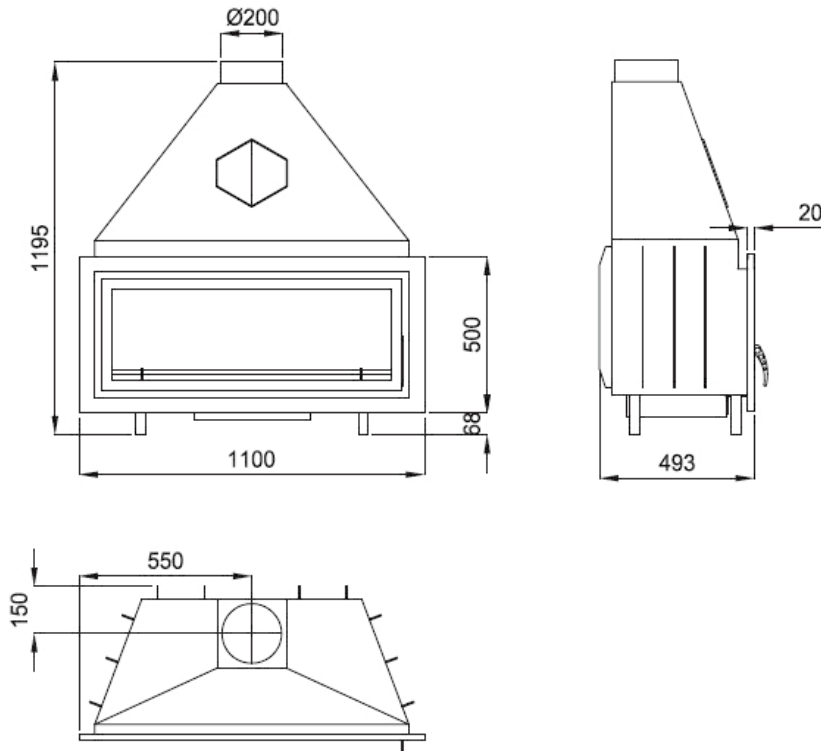
Available colours

* Selected colours are available on request only; Please confirm stock availability.



Output range Kw	21-24
Eco Design 2022 / Nom. Kw	21
Heating Capacity m³	525
Nominal Efficiency %	76
Type	Built-In/Insert
Fuel Type	Wood
Max load / Nom. Cons. Kg/h	6.4
Brand	Bronpi
Category	Traditional Wood
Flue ø	200
Flue exit	Top
WxDxH mm	1100 x 493 x 1195
Weight Kg	135
Hopper capacity Kg	-
Finish	Steel, Glass
Ash tray	Yes
Glass cleaning air flow	Yes
Convection type	Natural
Multifire System	-
Dual power system	-
Ductable	-
Power settings	-
Remote control	-
Energy saving mode	-
Humidifier	-
Warranty	5 Yr. Structural Steel 7 Yr. Structural C-Iron 2 Yr. Elec. & Mech.

* All warranties are subject to CRMS registration.



*Unit of measure and model dimensions may vary. E&OE.