



THE FIRE WORKS

BRAAIS AND FIREPLACES

t: 041 365 2636 | www.thefireworks.co.za | sales@thefireworks.co.za | 28 West Street, Newton Park, Port Elizabeth

THE FIRE WORKS
BRAAIS AND FIREPLACES

Dalton
4.5kW



CE RATED & APPROVED

Well-seasoned (less than 20% moisture content), medium to hard wood, like blue gum. ± 100 mm in diameter & ± 400 mm long, weighing ± 1 kg with a calorific value of ± 1,5 kW

Fuel (Wood) Size:	
Outlet Location:	Top and Rear
Outlet Size:	125 mm
Air Control:	Primary and Secondary
Rated heating area (based on 2.1 m ceiling):	Max. m ² 70 Max. m ³ 150
Chamber Insulation:	Vermiculite board
Minimum distance from combustible surfaces:	Sides & Back: 200 mm
Rated heating area (based on 2.1 m ceiling):	73.64%
General Dimensions:	376 x 267 x 540 mm
Weight:	50 kg

- Free-standing
- Cast Iron
- Wood Burning



The Dalton stove is specially imported to bring you a beautiful combination of style and affordability. It's a star in cosy spaces.

THE FIRE WORKS
BRAAIS AND FIREPLACES

Moore
7kW



CE RATED & APPROVED

Well-seasoned (less than 20% moisture content), medium to hard wood, like blue gum. ± 100 mm in diameter & ± 400 mm long, weighing ± 1 kg with a calorific value of ± 1,5 kW

Fuel (Wood) Size:	
Outlet Location:	Top and Rear
Outlet Size:	125 mm
Air Control:	Primary and Secondary
Rated heating area (based on 2.1 m ceiling):	Max. m ² 105 Max. m ³ 220
Chamber Insulation:	Vermiculite board
Minimum distance from combustible surfaces:	Sides & Back: 200 mm
Rated heating area (based on 2.1 m ceiling):	71.16%
General Dimensions:	355 x 460 x 545 mm
Weight:	75 kg



- Free-standing
- Cast Iron
- Wood Burning



The Moore stove brings exquisite old-world charm to your home, but with superb modern efficiencies.

THE FIRE WORKS
BRAAIS AND FIREPLACES

Connery
13kW



CE RATED & APPROVED

Well-seasoned (less than 20% moisture content), medium to hard wood, like blue gum. ± 100 mm in diameter & ± 400 mm long, weighing ± 1 kg with a calorific value of ± 1,5 kW

Fuel (Wood) Size:	
Outlet Location:	Top and Rear
Outlet Size:	150 mm
Air Control:	Primary and Secondary
Rated heating area (based on 2.1 m ceiling):	Max. m ² 195 Max. m ³ : 400
Chamber Insulation:	Vermiculite board
Minimum distance from combustible surfaces:	Sides & Back: 200 mm
Rated heating area (based on 2.1 m ceiling):	70.12%
General Dimensions:	530 x 550 x 835 mm
Weight:	137 kg



- Free-standing
- Cast Iron
- Wood Burning



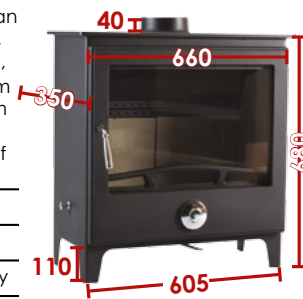
Choose the Connery stove for a warm welcome home every winter's night.

Craig 16kW



CE RATED & APPROVED

Fuel (Wood) Size:	Well-seasoned (less than 20% moisture content), medium to hard wood, like blue gum. ± 100 mm in diameter & ± 400 mm long, weighing ± 1 kg with a calorific value of ± 1,5 kW
Outlet Location:	Top and Rear
Outlet Size:	125 mm
Air Control:	Primary and Secondary
Rated heating area (based on 2.1 m ceiling):	Max. m ² 240 Max. m ³ 500
Chamber Insulation:	Vermiculite board
Minimum distance from combustible surfaces:	Sides & Back: 200 mm
Rated heating area (based on 2.1 m ceiling):	74.2%
General Dimensions:	660 x 320 x 680 mm
Weight:	106 kg



- Free-standing
- Cast Iron
- Wood Burning

Unobtrusive and neat yet powerful, the Craig stove suits a variety of interior spaces.



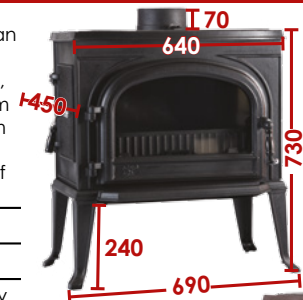
Flue = 1250

Eastwood 10kW



CE RATED & APPROVED

Fuel (Wood) Size:	Well-seasoned (less than 20% moisture content), medium to hard wood, like blue gum. ± 100 mm in diameter & ± 400 mm long, weighing ± 1 kg with a calorific value of ± 1,5 kW
Outlet Location:	Top and Rear
Outlet Size:	140 mm
Air Control:	Primary and Secondary
Rated heating area (based on 2.1 m ceiling):	Max. m ² 150 Max. m ³ 315
Minimum distance from combustible surfaces:	Sides & Back: 200 mm
Rated heating area (based on 2.1 m ceiling):	80.2%
General Dimensions:	600 x 395 x 720 mm
Weight:	122 kg



- Free-standing
- Cast Iron
- Wood Burning

Choose the Eastwood stove for just the right mix of classic design and modern efficiency.



Flue = 1400

Brando 16kW



CE RATED & APPROVED

Fuel (Wood) Size:	Well-seasoned (less than 20% moisture content), medium to hard wood, like blue gum. ± 100 mm in diameter & ± 400 mm long, weighing ± 1 kg with a calorific value of ± 1,5 kW
Outlet Location:	Top and Rear
Outlet Size:	150 mm
Air Control:	Primary and Secondary
Rated heating area (based on 2.1 m ceiling):	Max. m ² 240 Max. m ³ 500
Chamber Insulation:	Vermiculite board
Minimum distance from combustible surfaces:	Sides & Back: 200 mm
Rated heating area (based on 2.1 m ceiling):	73.6%
General Dimensions:	680 x 420 x 680 mm
Weight:	135 kg



- Free-standing
- Cast Iron
- Wood Burning

Like all these stoves, imported by The Fire Works, the Brando is the epitome of style, efficiency and affordability.



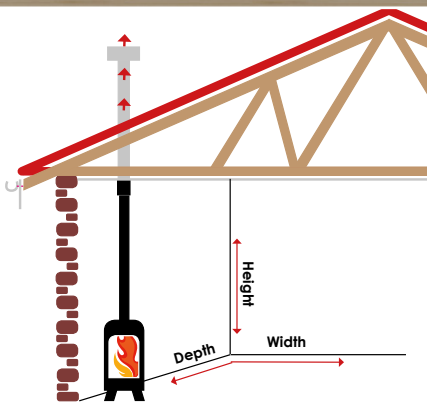
Flue = 1500

HOW TO CHOOSE YOUR FIREPLACE: CALCULATING HEAT OUTPUT REQUIREMENTS

Measure your room's width, length and height as shown in the diagram. Then multiply W x L x H to find the room size in m³.

Multiply the m³ by 0.035 (if the room is well insulated) or 0.06 (if poorly insulated).

The result (in kW) indicates the minimum heat output needed.



The Fire Works recommends fitment of these fireplaces by qualified installers using recommended flues and fittings according to strict guidelines laid out by European Standards in order to maximise efficiency and safety.