



Available colours

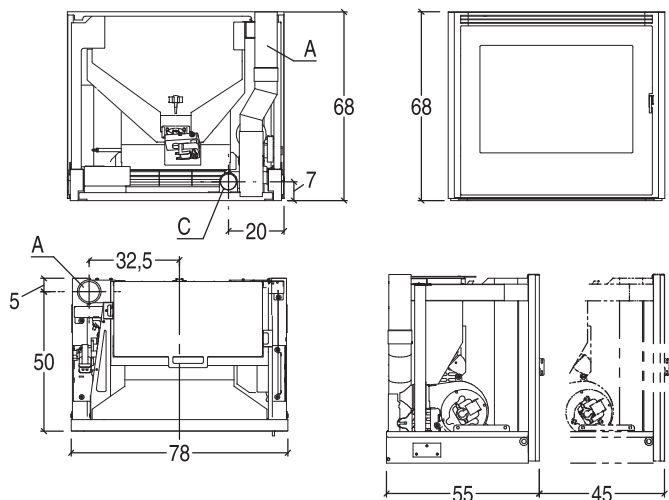
* Selected colours are available on request only; Please confirm stock availability.



Output range Kw	4.6-11
Eco Design 2022 / Nom. Kw	11
Heating Capacity m³	315
Nominal Efficiency %	87.7
Type	Built-In
Fuel Type	Pellet
Max load / Nom. Cons. Kg/h	0.8-2.6
Brand	Piazzetta
Category	Smart
Flue ø	80 (<1000m) 100 (>1000m)
Flue exit	Top
WxDxH mm	780 x 550 x 680
Weight Kg	150
Hopper capacity Kg	22
Finish	Cast-Iron, Steel
Ash tray	Yes
Glass cleaning air flow	Yes
Convection type	Forced
Multifire System	-
Dual power system	-
Ductable	-
Power settings	5
Remote control	-
Energy saving mode	Yes
Humidifier	-
Warranty	5 Yr. Structural 2 Yr. Elec. & Mech. 10 Yr. Parts Availability

* All warranties are subject to CRMS registration.

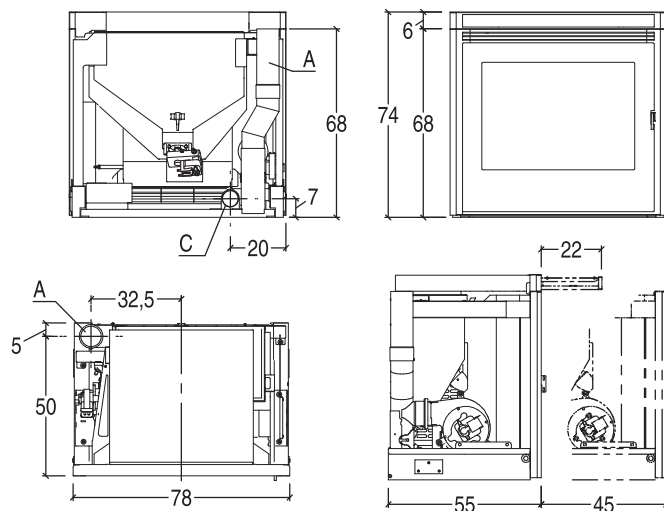
Without Drawer Load Kit



A	C
8 cm	6 cm

A Smoke outlet
C Combustive air duct

With Drawer Load Kit



A	C
8 cm	6 cm

A Smoke outlet
C Combustive air duct

*Unit of measure and model dimensions may vary. E&OE.